

# Performance TPR Wheels

RAPIDSTOCK

The Performance TPR (Thermal Plastic Rubber or TPE for Thermal Plastic Elastomer) Wheel is specially engineered to provide unsurpassed durability and reliability. This premium wheel combines the durability of a hard tread wheel with the quiet floor protection of a soft tread wheel. They are made of a thermoplastic elastomer which is permanently bonded to a polypropylene core and will not mark floors. The Performance TPR wheel is resistant to chemicals, acids, bases, alcohols, salts and steam. The Performance TPR Wheel tread material can be made to various durometers.

## Features

**Wheel Bearing:** Choice of straight roller bearing, celcon and annular ball bearing

**Temperature Range:** -45° to 120°F continuous; 180°F intermittent

**Bores:** Various sizes available on some wheels

**Hardness:** 65 to 70+/-5 Shore A Durometer

## Applications

This attractive wheel accommodates a large number of industries and a limitless number of applications. They are smooth and quiet, absorb shock and have superior impact resistance. These wheels resist flat spotting, acids and make equipment easier to handle. Performance Wheels are extremely resilient and easily rolls over debris and uneven surfaces. They are very popular in institutional, food service, retail display, hospitals, schools, restaurants and all types of industrial and manufacturing environments including factories, warehouses and shop floors. Performance wheels are available in both flat and round treads.



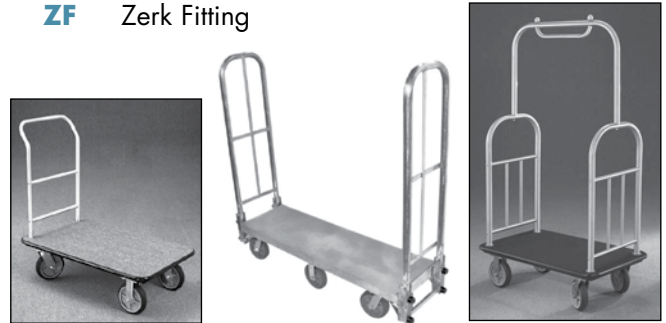
RPR-0820-19

RPR-0821-19

**The Performance Wheel** is available with a flat tread to provide maximum load surface or round tread to provided easy turning. Round tread is only available on the 6" x 2" and 8" x 2" wheels.

## Options

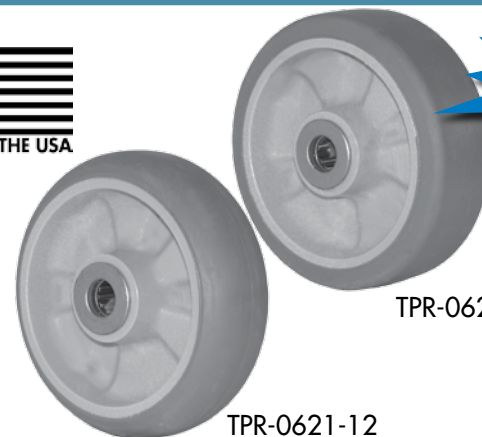
- TG** Thread Guards
- WS** Wheel Seals (roller bearing only)
- ZF** Zerk Fitting



# Heavy Duty Performance TPR

RAPIDSTOCK

Our New Heavy Duty Performance TPR Wheel combines the durability of a hard tread wheel with the quiet floor protection of a soft tread wheel. This attractive wheel accommodates a large number of industries and a limitless number of applications, especially the tough ones! They are smooth and quiet, absorb shock and have superior impact resistance. These wheels resist flat spotting, acids and make equipment easier to handle. Performance Wheels are extremely resilient and easily rolls over debris and uneven surfaces. They are very popular in institutional, food service, retail display, hospitals, schools, restaurants and all types of industrial and manufacturing environments including factories, warehouses and shop floors. The Heavy Duty Performance TPR Wheel is a perfect upgrade for polyolefin, polyurethane and phenolic wheels. They will deliver a more cushioned, smoother, quiet ride while resisting water damage associated with hydrolysis and other punishing applications.



**NEW  
Heavy  
Duty!**

TPR-0620-12

TPR-0621-12

## Features

**Wheel Bearing:** Choice of Straight Roller, Celcon or Sealed Precision Ball Bearings

**Temperature Range:** -45° to 120°F continuous

**Hardness:** 65 to 70+/-5 Shore A Durometer

UP TO 1000 POUND CAPACITY

SPECIFICATIONS								
Wheel Diameter	Wheel Width	lbs. Capacity	Axle Diameter	Straight Roller Bearing	Ball Bearing	Plain, Oilite, Celcon Bearing	Hub Length	Approx Weight
<b>FLAT TREAD</b>								
3"	1-1/4"	190	3/8"		RPB-0312-06	RPC-0312-06	1-1/2"	0.22
3-1/2"	1-1/4"	200	3/8"		RPB-3512-06	RPC-3512-06	1-1/2"	0.29
4"	1-1/4"	275	3/8"		RPB-0412-06	RPC-0412-06	1-1/2"	0.34
4"	1-1/2"	325	1/2"	RPR-0415-08	RPB-0415-08	RPC-0415-08	1-7/8"	0.60
			5/8"	RPR-0415-10		RPC-0415-10		
			3/4"	RPR-0415-12		RPC-0415-12		
4"	2"	350	1/2"	RPR-0420-08	RPB-0420-08	RPC-0420-08	2-7/16"	0.66
			5/8"	RPR-0420-10		RPC-0420-10		
			3/4"	RPR-0420-12		RPC-0420-12		
5"	1-1/4"	300	3/8"		RPB-0512-06	RPC-0512-06	1-1/2"	0.52
5"	1-1/2"	350	1/2"	RPR-0515-08	RPB-0515-08	RPC-0515-08	1-7/8"	0.85
			5/8"	RPR-0515-10		RPC-0515-10		
			3/4"	RPR-0515-12		RPC-0515-12		
5"	2"	375	1/2"	RPR-0520-08	RPB-0520-08	RPC-0520-08	2-7/16"	0.96
			5/8"	RPR-0520-10		RPC-0520-10		
			3/4"	RPR-0520-12		RPC-0520-12		
6"	1-1/2"	475	1/2"	RPR-0615-08	RPB-0615-08	RPC-0615-08	1-7/8"	1.85
			5/8"	RPR-0615-10		RPC-0615-10		
			3/4"	RPR-0615-12		RPC-0615-12		
6"	2"	525	1/2"	RPR-0620-08	RPB-0620-08	RPC-0620-08	2-7/16"	1.38
			5/8"	RPR-0620-10		RPC-0620-10		
			3/4"	RPR-0620-12		RPC-0620-12		
8"	2"	600	1/2"	RPR-0820-08	RPB-0820-08	RPC-0820-08	2-7/16"	2.02
			5/8"	RPR-0820-10		RPC-0820-10		
			3/4"	RPR-0820-12		RPC-0820-12		
<b>ROUND TREAD</b>								
6"	2"	525	1/2"	RPR-0621-08	RPB-0621-08	RPC-0621-08	2-7/16"	1.38
			5/8"	RPR-0621-10		RPC-0621-10		
			3/4"	RPR-0621-12		RPC-0621-12		
8"	2"	600	1/2"	RPR-0821-08	RPB-0821-08	RPC-0821-08	2-7/16"	2.02
			5/8"	RPR-0821-10		RPC-0821-10		
			3/4"	RPR-0821-12		RPC-0821-12		

## TP Wheels Heavy Duty Performance TPR

Wheel Diameter	Wheel Width	lbs.Capacity	Axle Diameter	Straight Roller Bearing	Sealed Precision Ball Bearing	Plain, Oilite, Celcon Bearing	Hub Length	Approx Weight
<b>FLAT TREAD</b>								
4"	2"	600	1/2"	TPR-0420-08	TPB-0420-08	TPC-0420-08	2-7/16"	1
			5/8"	TPR-0420-10		TPC-0420-10		
			3/4"	TPR-0420-12		TPC-0420-12		
5"	2"	750	1/2"	TPR-0520-08	TPB-0520-08	TPC-0520-08	2-7/16"	1.25
			5/8"	TPR-0520-10		TPC-0520-10		
			3/4"	TPR-0520-12		TPC-0520-12		
6"	2"	900	1/2"	TPR-0620-08	TPB-0620-08	TPC-0620-08	2-7/16"	1.38
			5/8"	TPR-0620-10		TPC-0620-10		
			3/4"	TPR-0620-12		TPC-0620-12		
8"	2"	1000	1/2"		TPB-0820-08		2-7/16"	1.75
<b>ROUND TREAD</b>								
6"	2"	650	1/2"	TPR-0621-08	TPB-0621-08	TPC-0621-08	2-7/16"	1.5
			5/8"	TPR-0621-10		TPC-0621-10		
			3/4"	TPR-0621-12		TPC-0621-12		
8"	2"	725	1/2"	TPR-0821-08	TPB-0821-08	TPC-0821-08	2-7/16"	2
			5/8"	TPR-0821-10		TPC-0821-10		
			3/4"	TPR-0821-12		TPC-0821-12		

UP TO 1000 POUND CAPACITY